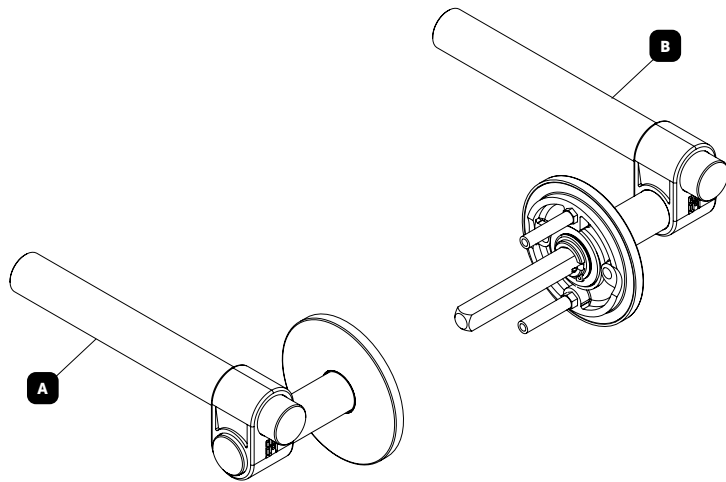
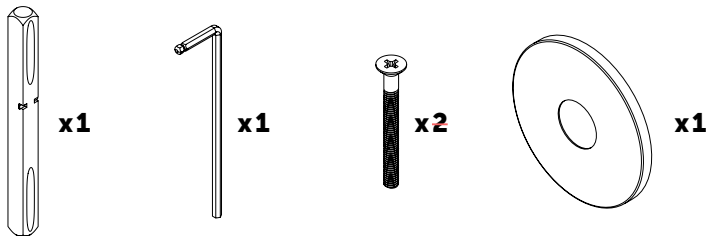


## US DOOR LEVER HANDLE CAST / PASSAGE

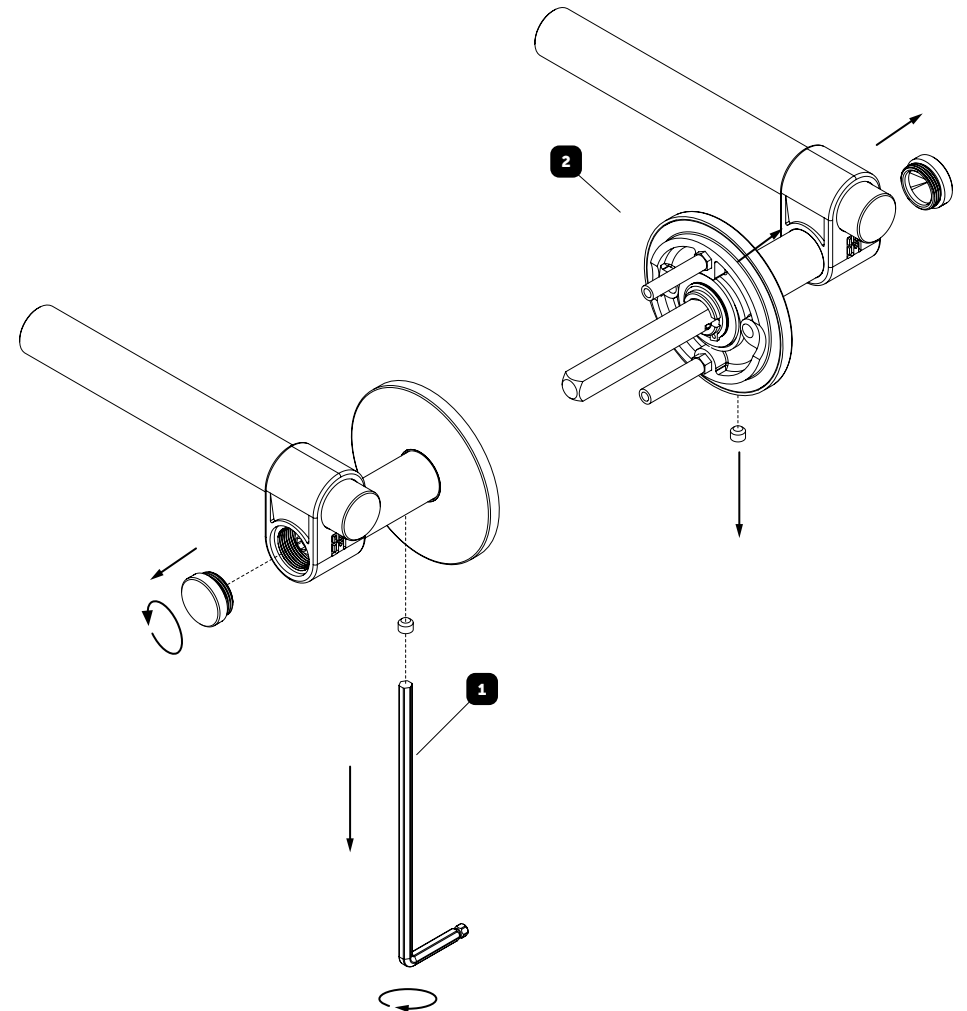
### INSTALLATION MANUAL



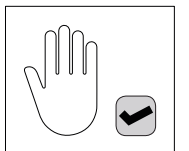
#### CONTENTS



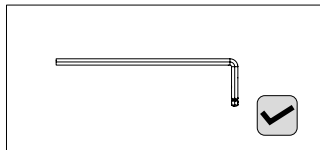
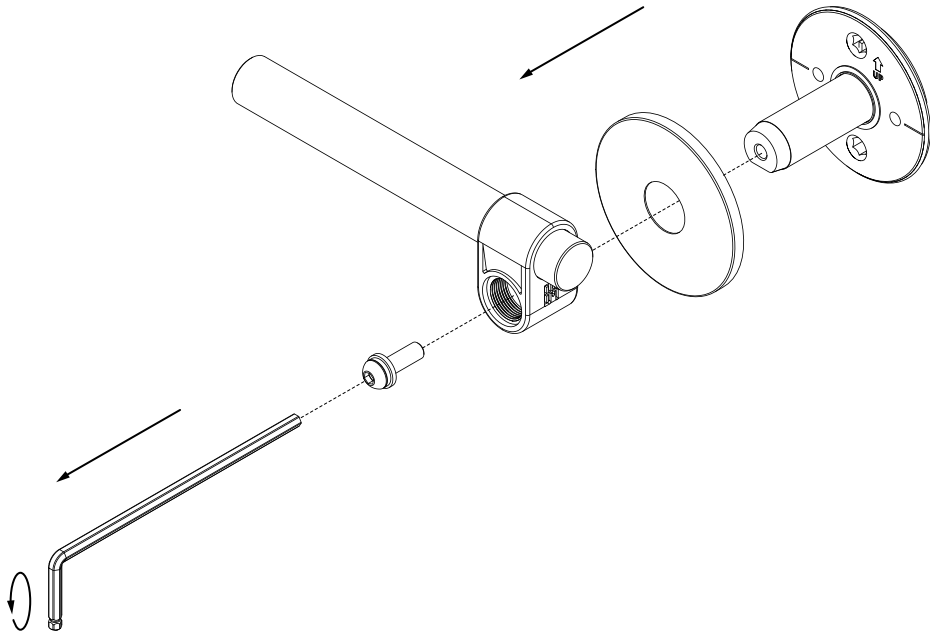
1



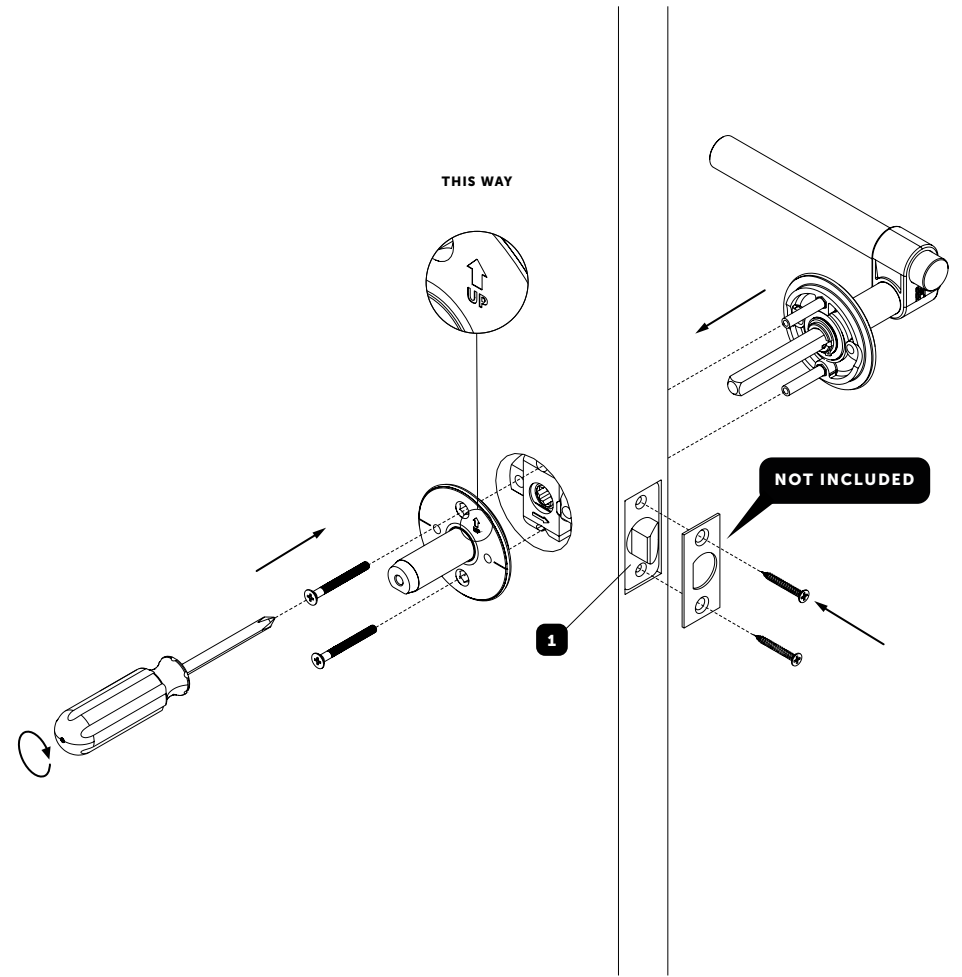
x2



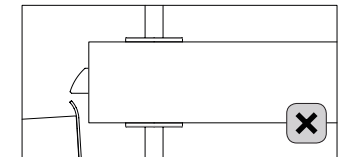
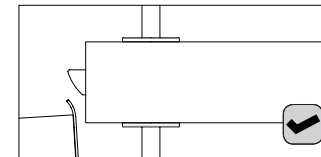
2



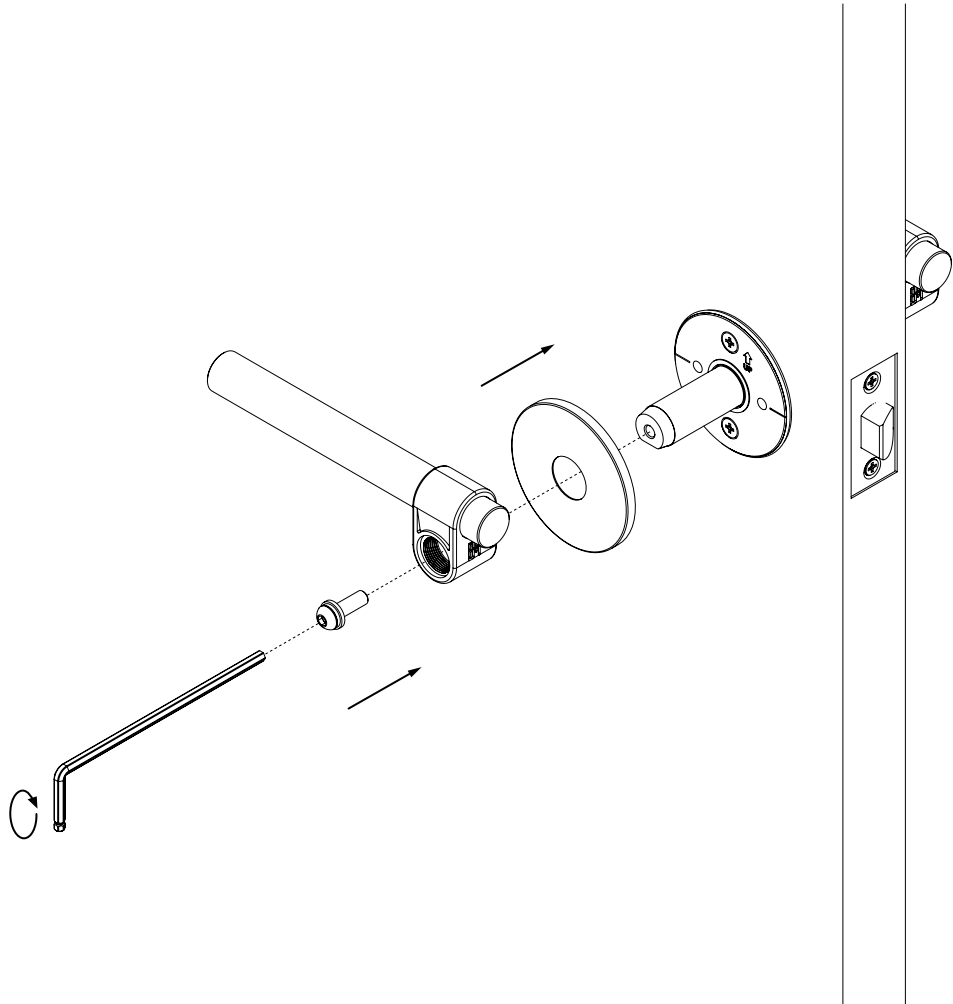
3



**1 ROTATE THE LATCH TONGUE TO ENSURE THAT IS IT ORIENTATED CORRECTLY.**



4



5

