

**DOOR HANDLE SET /  
PRIVACY / CAST /  
LATCH INCLUDED**

---

**ACTION: DOOR HANDLE**

---

**KNURL: CAST**

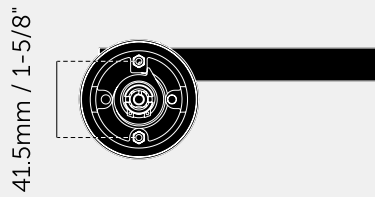
---

**RANGE: DOOR HANDLES**

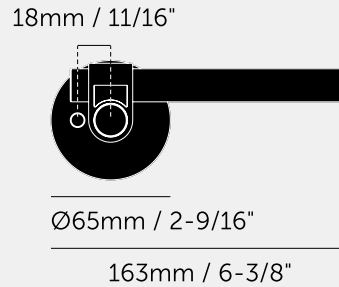
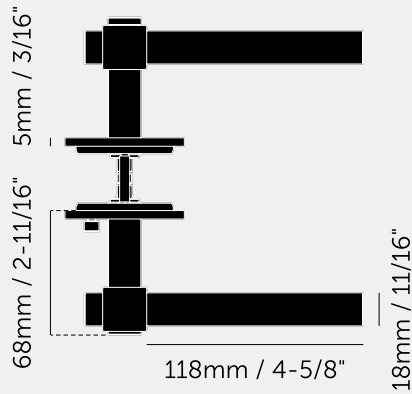
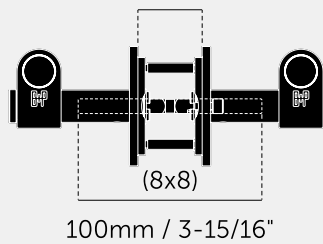
---

A pair of sprung privacy door levers featuring our unique rough cast knuckles, combined with hand-polished solid metal bars. Works great on all internal doors and can be combined with our matching door accessories.





Min. 35mm / 1-3/8"  
Max. 54mm / 2-1/8"



## SPECIFICATIONS

A pair of sprung solid metal door lever handles, designed for installation onto a "pre-drilled" door (2-1/8" bore hole).

Designed for use with US (centre distance 41.5mm or 1-5/8") specific latches.

Compatible with either tubular latches or mortise locks. Latch and strike and face plate included.

Suitable for interior doors only.

Fits doors thicknesses of minimum 1-3/8" to maximum 2". For thicker doors, longer through bolts and a longer spindle will need to be sourced.

Rose: 2-9/16" diameter, 3/16" thick

## FINISH & SKU NUMBERS

sku:	finish:	size:
NDDK-054232	● brass	
NDD-454508	● smoked bronze	
NDDK-074231	● steel	
NDDK-484233	● welders black	

## INCLUDED

Box 1:  
1 x pair of sprung door levers  
1 x outer rose cover plate  
1 x 8x8x100mm spindle  
8 x countersunk woodscrews  
2 x M4x35mm through bolts  
1 x allen key  
1 x privacy pin

Box 2:  
1 x 2-3/8" latch  
1 x strike plate  
1 x face plate  
4 x countersunk woodscrews

## PLEASE NOTE

DISCLAIMER: Always consult a trade professional when installing this product. Buster + Punch is not responsible for the usage or feasibility of installation requirements. This product is not suitable for damp or wet environments. For internal use only. Not for commercial use.

## CARE INSTRUCTIONS

Clean regularly with a soft, dry cloth or duster. Wash periodically using a soft cloth and mild soapy water then dry immediately with a clean, soft cloth. Rubbing or wiping should be carried out in the direction of the polish lines, not across them. DO NOT use oily rags or greasy cloths when wiping the product surface. All finishes prone to ageing.