

PULL BAR / DOUBLE-SIDED / CROSS

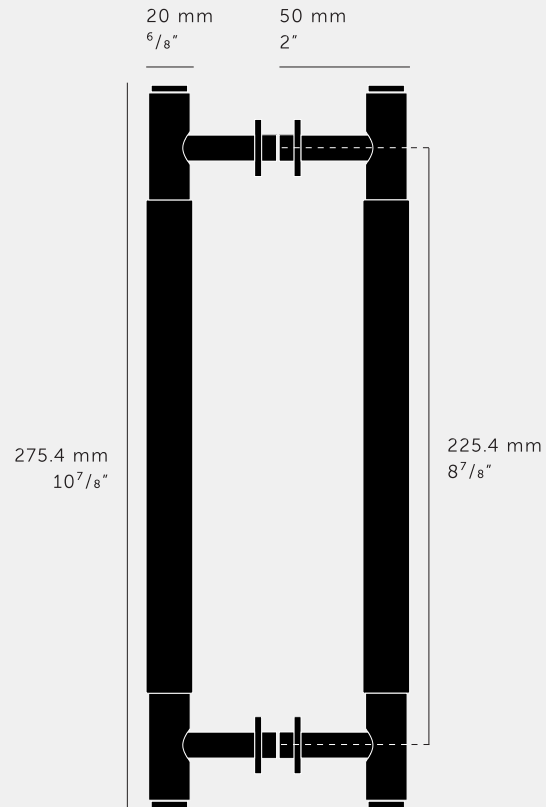
ACTION: PULL BAR

KNURL: CROSS

RANGE: DOUBLE-SIDED PULL BARS

A double-sided pull bar made from solid metal and featuring our signature, diamond-cut, cross knurl pattern. Works great on cabinet doors, cupboards, kitchen units, and just about anything that can open.





SPECIFICATIONS

Fits doors of a minimum thickness of 10mm or 0.39" to a maximum of 60mm or 2.36".

Not suitable for fire doors.

INCLUDED

- 1 x double-sided pull bar
- 1 x double-sided bolt
- 2 x plastic bosses
- 4 x glass silicone washers
- 2 x cosmetic discs

PLEASE NOTE

DISCLAIMER: Always consult a trade professional when installing this double-sided pull bar. Buster + Punch is not responsible for the usage or feasibility of installation requirements.

FINISH & SKU NUMBERS

sku:	finish:	size:
UPB-024579	● black	MEDIUM
UPB-053974	● brass	MEDIUM
UPB-454002	● smoked bronze	MEDIUM
UPB-073972	● steel	MEDIUM

CARE INSTRUCTIONS

Wipe with damp cloth with no loose hairs, avoid using any chemicals. Please note all finishes are prone to aging.