

## **CLOSET BAR / CROSS**

---

**ACTION: CLOSET BAR**

---

**KNURL: CROSS**

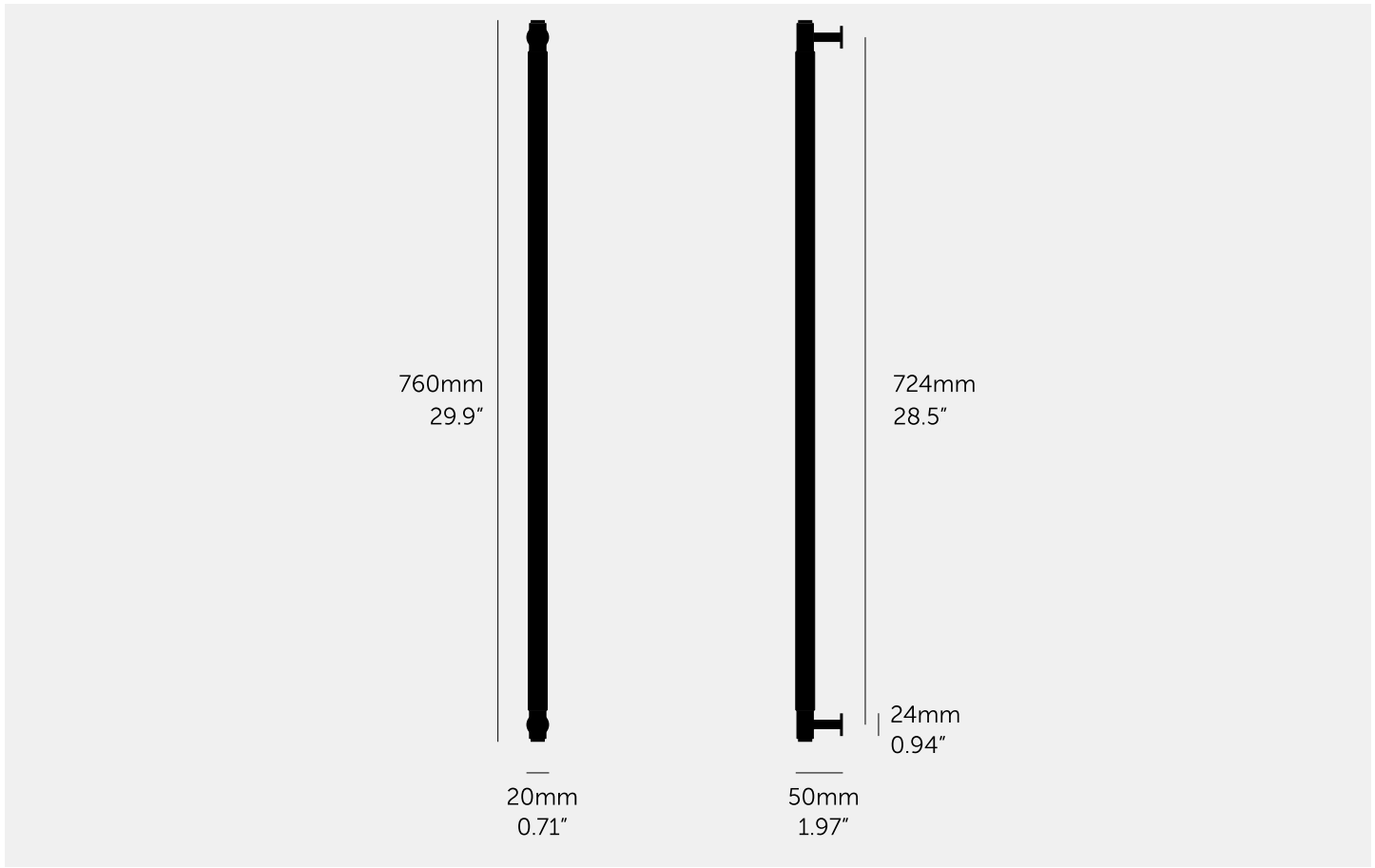
---

**RANGE: CLOSET BARS**

---

A closet bar made from solid metal. A solid base with diamond-cut knurled handle details, ensuring pleasure with every touch. Works great as an appliance pull, on cabinet doors, cupboards and kitchen units.





**SPECIFICATIONS**

Fits doors of thickness minimum 10mm or 0.39" to maximum 25mm or 0.98"

**INCLUDED**

- 1 x closet bar
- 2 x M5x30mm screw
- 2 x washer
- 2 x 24mm small discs

**PLEASE NOTE**

DISCLAIMER: Always consult a trade professional when installing this product. Buster + Punch is not responsible for the usage or feasibility of installation requirements. This product is not suitable for damp or wet environments. For internal use only. Not for commercial use.

**FINISH & SKU NUMBERS**

sku:	finish:	size:
UCB-024587	● black	760MM
UCB-054586	● brass	760MM
UCB-453947	● smoked bronze	760MM
UCB-073948	● steel	760MM

**CARE INSTRUCTIONS**

Wipe with damp cloth with no loose hairs, avoid using any chemicals. Please note all finishes are prone to aging.